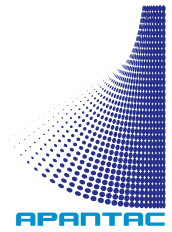


Signal Processing Solutions



MT HOOD VGA EXTENDERS with audio

- Extends VGA and Audio Signals up to 300 meters (1,000 feet) - Point to Point
- Maximum Distance in a Cascaded System is 900 meters (3,000 feet)
- Maximum Resolution 2048 x 1536
- Plug and Play - No Software Required
- Remote / Local Monitors and Speakers Can Broadcast Simultaneously



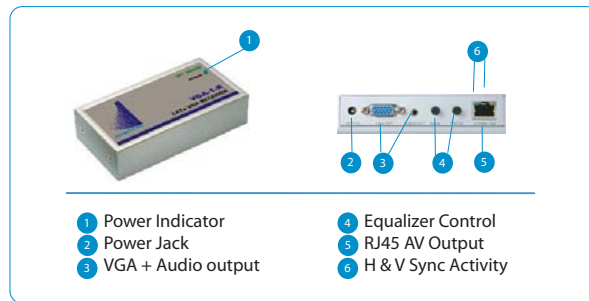
VGA-1-E
Single port VGA
Extender with Audio

VGA-1-R
Single port VGA
Receiver with Audio

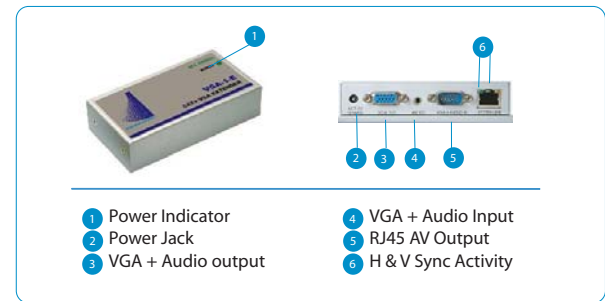
VGA-4-SE
4 port VGA Splitter /
Extender with Audio

VGA-4-SER
4 port VGA Splitter /
Extender / Receiver
with Audio

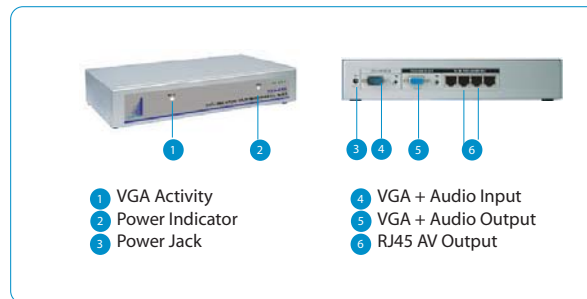
VGA-1-E



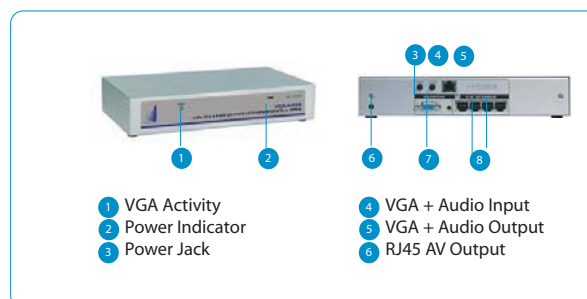
VGA-1-R



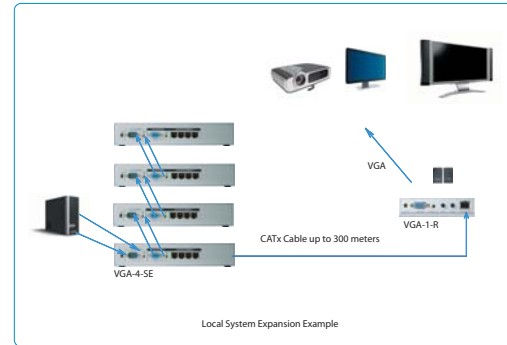
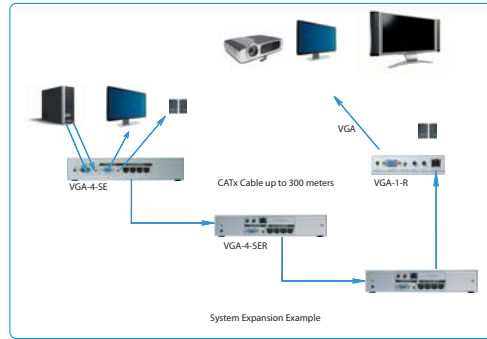
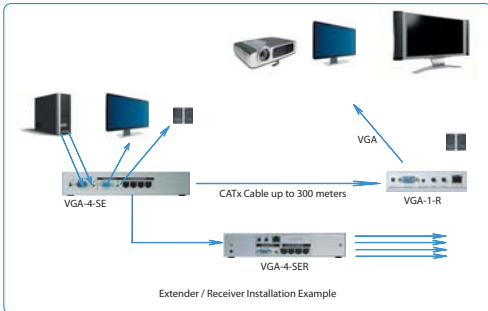
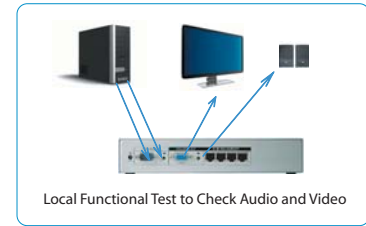
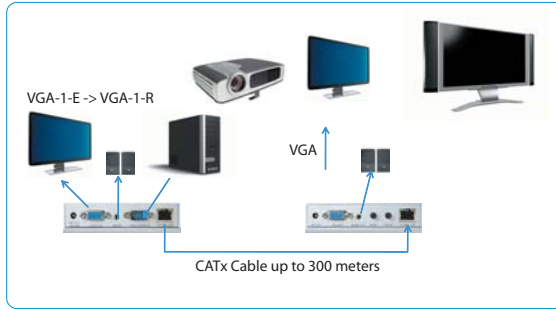
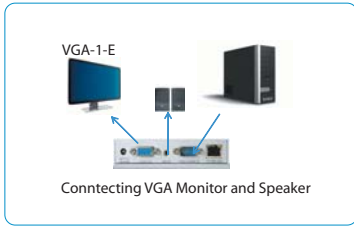
VGA-4-SE



VGA-4-SER



SYSTEM DIAGRAMS



SPECIFICATIONS

MODEL	VGA-1-E	VGA-1-R	VGA-4-SE	VGA-4-SER
DESCRIPTION	Single port VGA Extender with Audio	Single port DVI-D Extender with Audio	4 port VGA Splitter / Extender with Audio	4 port VGA Splitter / Extender / Receiver with Audio
INPUT	AV x 1	RJ45 x 1	AV x 1	RJ45 x 1
OUTPUT	AV x 1 RJ45 x 1	AV x 1 with audio	AV x 1 RJ45 x 1	RJ45 x 4 with Mono Audio
RESOLUTION	Maximum Resolution 2048 x 1536			
DIMENSIONS	62 (W) x 113 (D) x 29 (H) mm	62 (W) x 113 (D) x 29 (H) mm	240 (W) x 180 (D) x 44 (H) mm	240 (W) x 180 (D) x 44 (H) mm
POWER	AC 7.5V 250mA	DC 9V 250mA	DC 9V 480mA	DC 9V 550mA

APANTAC LLC

13500 SW Pacific Hwy, #117
 Portland, OR 97223 USA
 Phone +1 503 616 3711
 Fax +1 503 389 7921
 info@apantac.com
 apantac.com

©2008 Apantac LLC. All rights reserved. Product features, specifications, system requirements, and availability are subject to change without notice. All trademarks contained herein are the property of their respective owners.